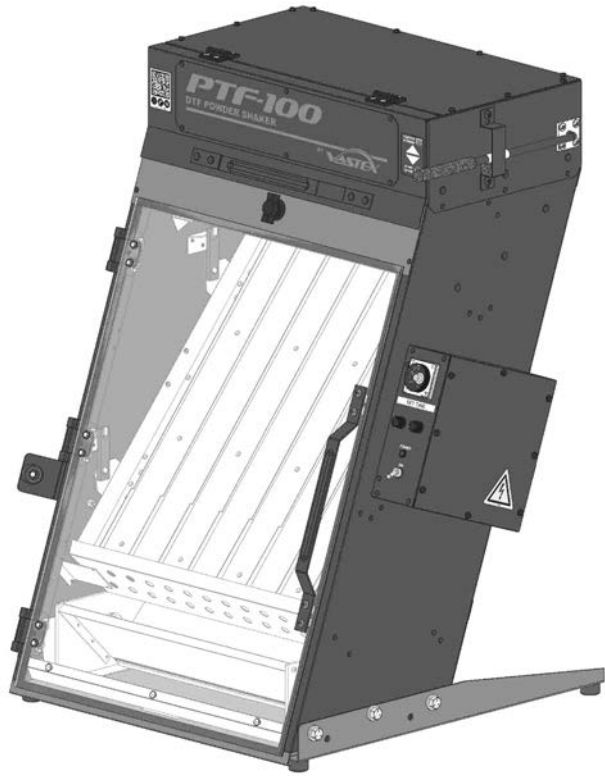


VASTEX

SCREEN PRINTING EQUIPMENT

PTF-100

Assembly, Operating, and Maintenance Instructions



	Pg #
• Safety	2
• Component Identification	3-4
• Assembly	5
• Operation	6-8
• Maintenance	9
• Troubleshooting	10-11

Vastex International, Inc.
 7 Emery Street
 Bethlehem, Pa. 18015 USA
 Phone# 610 625-2702 Fax# 610 625-2775
 Web Site www.vastex.com

Authorized Representative in Europe:
 Certification Experts BV
 Nieuwstad 100 1381 CE Weesp,
 The Netherlands
 Tel : + 31 (0) 294 – 48 33 55
 Fax : + 31 (0) 294 – 41 46 87

Vastex E-mail assistance

Purchasing & Product Info:
sales@vastex.com

Electrical Support:
stech@vastex.com

Tech Support, Mechanical Setup, and Operation:
techsupport@vastex.com

Screen Printing Issues & Support:
printech@vastex.com

Serial Number: VTX Date: / /

(Please log your machine's serial number and date of purchase for future reference.)

Safety Instructions

- The operator should read and understand the instruction manual before operating this equipment. Store instruction manual and safety instructions near equipment for easy access to operators.
- VASTEX Powder Coater is intended for coating printed film with powder adhesive. Do not use for any other purpose unless authorized by Vastex International, Inc. Use of this equipment for any other purpose can be dangerous and may cause damage to this equipment voiding the warranty.
- It is recommended that the area around this equipment be designated as a work area and only authorized employees are allowed in this area.
- Children and pets must be kept clear from the work area.
- Operator must be familiar with operation of the powder coater.
- Only qualified technicians should be allowed to make repairs on the VASTEX PTF-100.

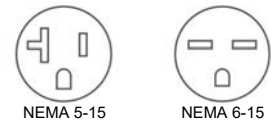
Maintenance

- 1) Every week, or as needed, excess powder left on the bottom of the machine should be swept/vacuumed out.
- 2) Every month, inspect the Powder Coater for loose bolts/screws and tighten if necessary.
- 3) Every 3 months, electrical connections should be checked for tightness and any corrosion.

Power Info

- PTF-100 requires a standard 5-15R, 120V, receptacle and draws 1Amp.
- PTF-100 requires a standard 6-15R, 240V, receptacle and draws 1Amp.
- PTF-100 requires a standard Australian, 240V, receptacle and draws 1Amp.
- PTF-100 requires a standard European, 240V, receptacle and draws 1Amp.
- PTF-100 requires a standard United Kingdom, 240V, receptacle and draws 1Amp.

Receptacle Configurations USA Versions



Receptacle Configurations International Versions



Placing your equipment into service and use

To place your PTF-100 into service, and operate:

- 1.) Review and comprehend the entire manual.
- 2.) See page 4 for Assembly and pages 5-7 for Operation.

Stability information

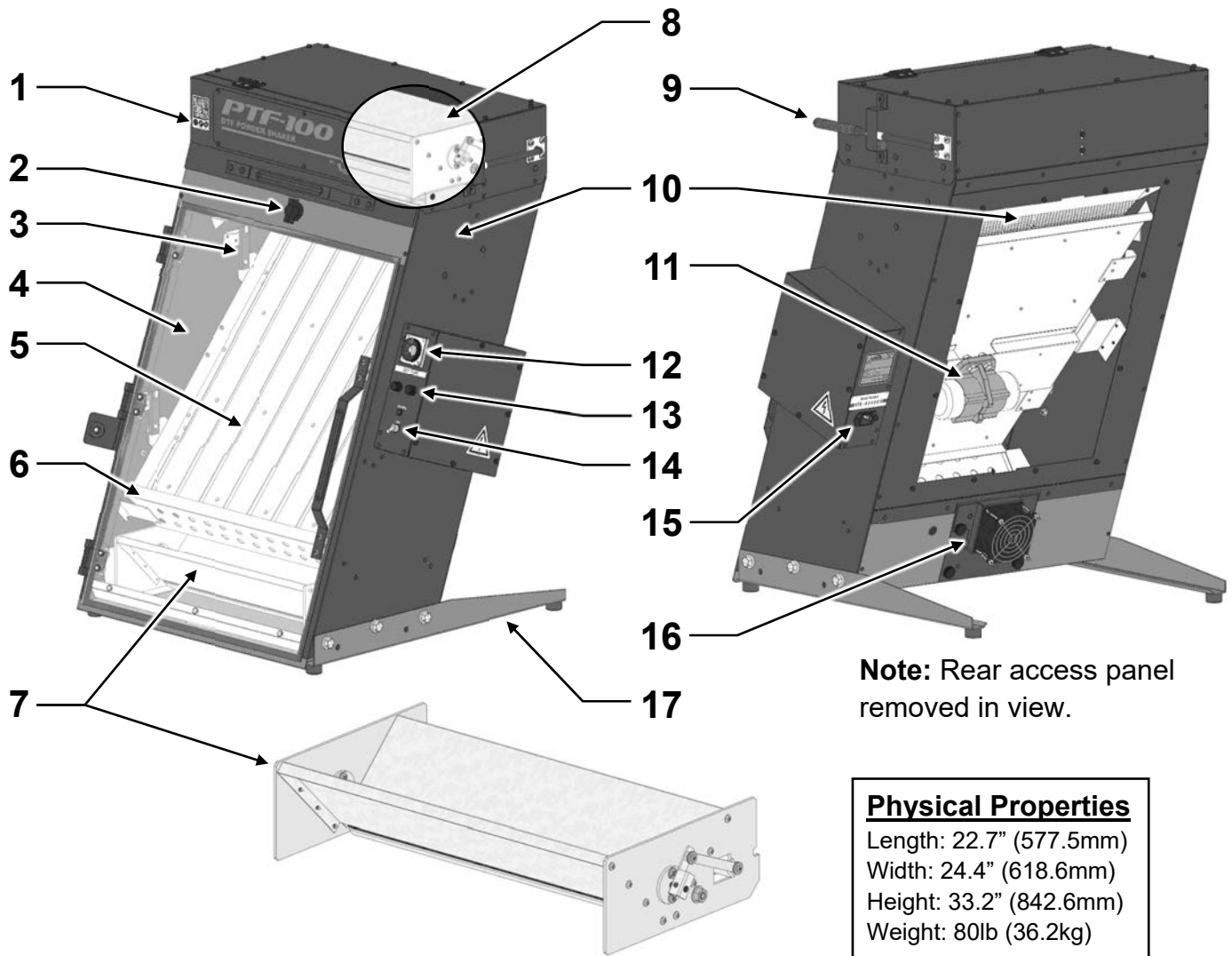
This equipment is designed and expected to be stable during all foreseeable conditions, provided that the cautions and instructions in this manual are followed. Do not place any objects on moving parts except where approved.

Safe transport, handling, and storage

This equipment is designed to be as safe as possible under all foreseeable conditions of transport, handling, and storage. Be certain to switch the equipment off, unplug it, and secure all moving parts if the machine is to be transported after installation. When handling your machinery, be aware of the following weights:

PTF-100 80lb (36kg)

— Component Identification —



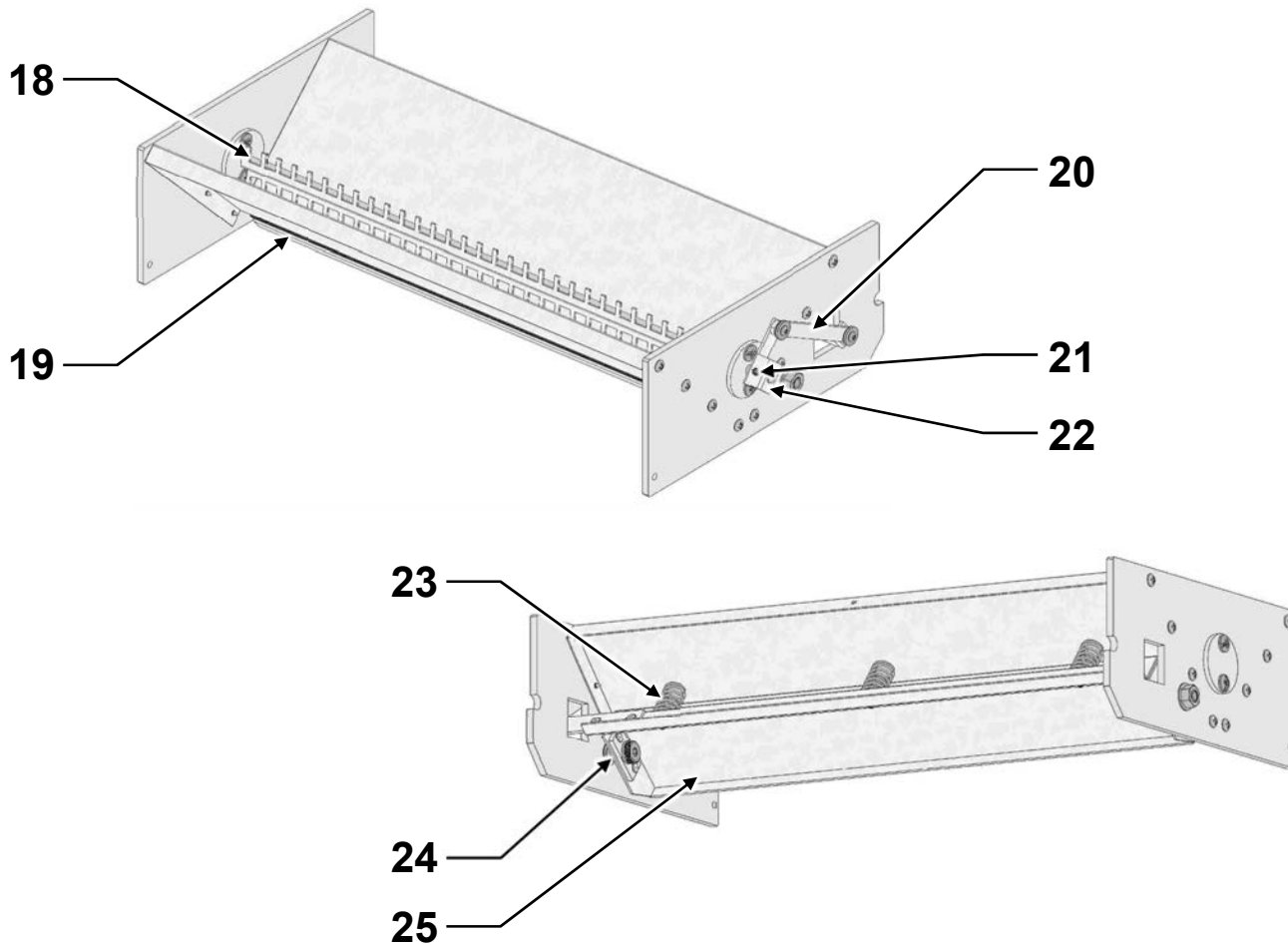
Note: Rear access panel removed in view.

Physical Properties

Length: 22.7" (577.5mm)
 Width: 24.4" (618.6mm)
 Height: 33.2" (842.6mm)
 Weight: 80lb (36.2kg)

- 1) **Upper Door:** Access door to the Upper Hopper.
- 2) **Upper Door Latch:** Door latch for opening and closing the Upper Door. Turn the knob 90° to operate.
- 3) **Rubber Link:** Black neoprene rubber link used to isolate the Film Tray's vibration, (4) per machine.
- 4) **Main Door:** Clear polycarbonate door. Open and close for loading and unloading film.
- 5) **Film Tray:** Tray for placing individual sheets of film on.
- 6) **Lower Powder Divertor:** Metal divertor used to distribute the adhesive into the Bottom Hopper.
- 7) **Bottom Hopper:** Bottom hopper used for collecting excess powder released from Upper Hopper.
- 8) **Upper Hopper:** Upper hopper located behind the Upper Door. Used to store and transfer powder onto the film when the Powder Handle is pushed up.
- 9) **Powder Handle:** Push handle up to release the flow of powder from the hopper. Push handle down to start the Motor.
- 10) **Upper Powder Divertor:** Metal divertor (*Inside of machine*) used to change to flow of the powder to accommodate different film sizes.
- 11) **Motor:** Vibrating motor, rear access panel removed for clarity.
- 12) **Motor Timer:** Set desired time for motor to run.
- 13) **Fuses:** System fuses
- 14) **On/Off Switch:** Power switch.
- 15) **Cord Socket:** Socket for main power cord to plug in to.
- 16) **Exhaust:** Powered exhaust designed to reduce amount of airborne powder particles.
- 17) **Leg:** Removable leg on either side of machine.

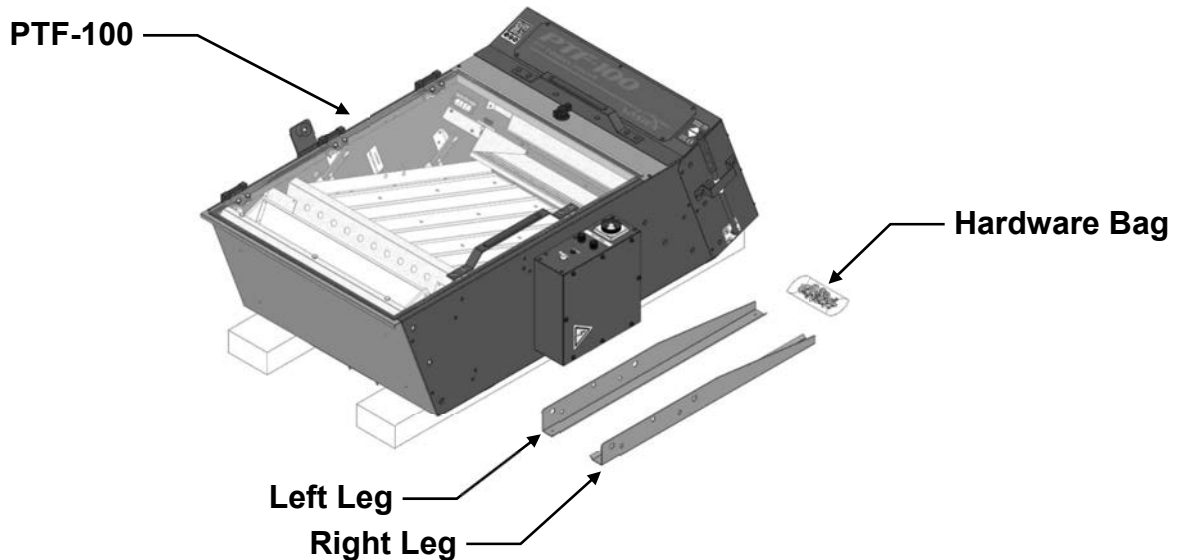
— Component Identification Cont.



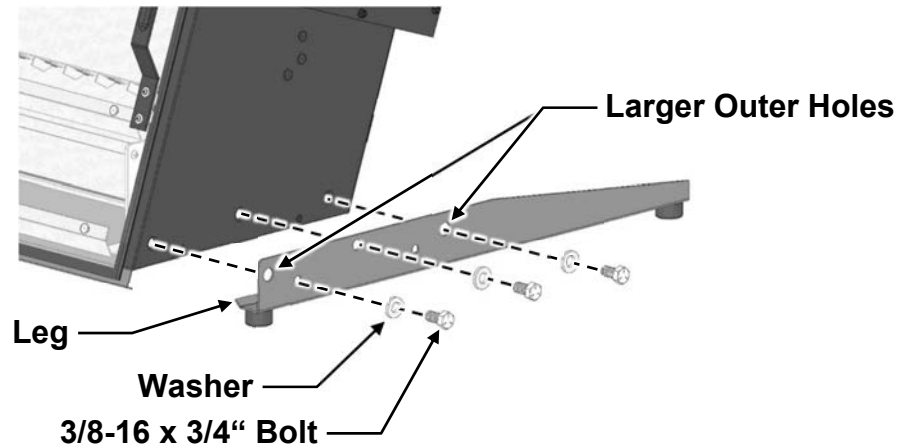
- 18) **Agitator:** Mechanism for agitating powder to ensure good flow.
- 19) **Powder Seal:** Strip of adhesive backed foam to seal bottom of hopper.
- 20) **Long Pivot Arm:** Plastic pivot arm, pushes the Short Pivot Arm to move the Agitator.
- 21) **Short Pivot Arm:** Metal pivot that is fastened to the Agitator.
- 22) **Pivot Arm Set Screw:** 10-32 set screw used to clamp the pivot arms to the agitator.
- 23) **Spring:** Metal spring used to provide clamping force on the powder seal, (3) used.
- 24) **Bushing:** Plastic bushing on powder retainer. One on either side of the hopper.
- 25) **Powder Retainer:** Used to clamp the hopper powder in the hopper.

— Assembly —

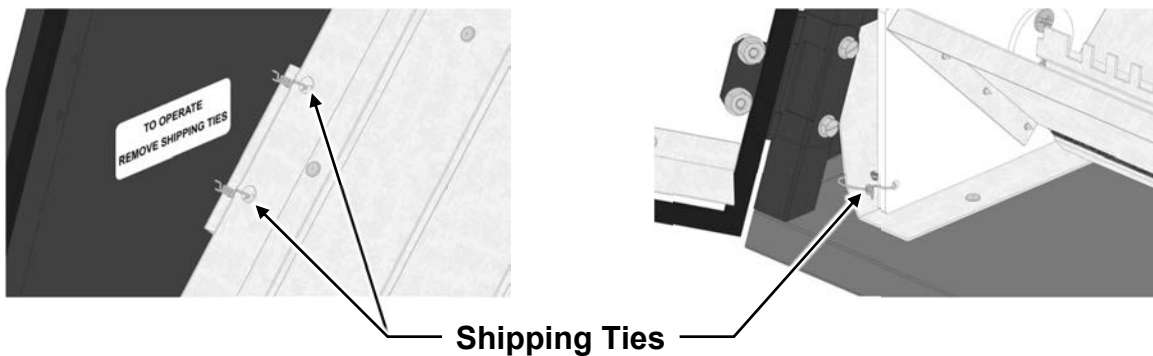
- 1) Your PTF-100 dose not come fully assembled from the factory. The Legs will need to be installed. Be careful not to damage the exhaust if laying the machine on its back. Support the machine with wood or foam blocks.



- 2) Install the Left and Right Legs onto the shell using 3/8-16 x 3/4" Bolts and Washers using a 9/16"(14mm) wrench. Install the middle Bolt first and then remaining (2) outer bolts. The outer bolts have a larger hole in the leg to allow you to slightly adjust the legs to make the machine level. **Do not** over tighten the bolts.



- 3) Once the Legs are installed open the Main Door. Inside the machine on either side of both the Film Tray and Bottom Hopper are (6) shipping ties. Remove them before operation.

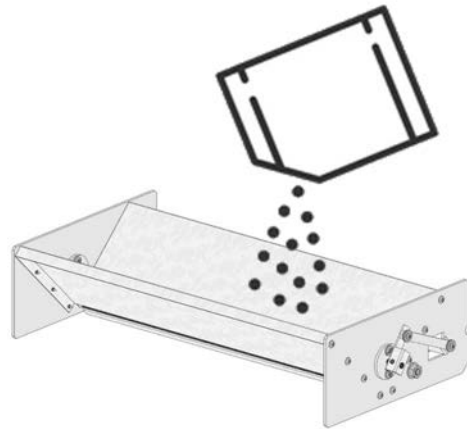


— Operation —

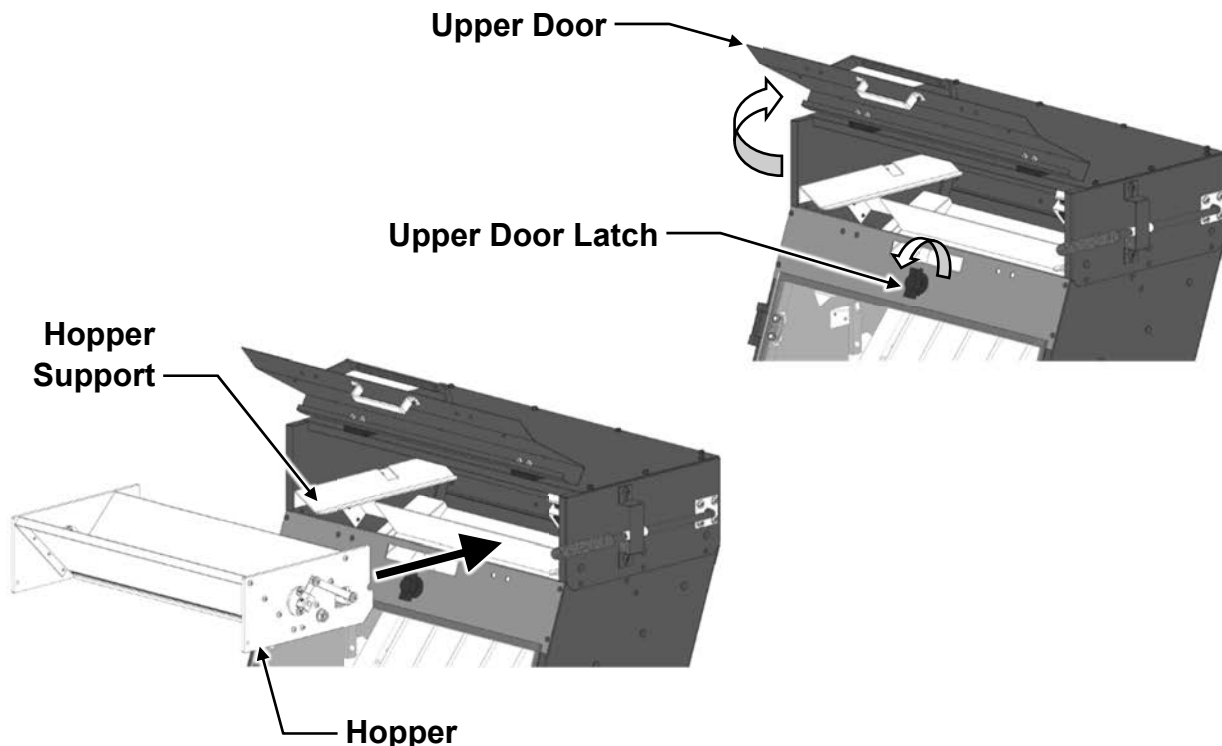
Your PTF-100 comes standard with (2) Powder Hoppers. The Upper Hopper holds and distributes the powdered adhesive over the film to the bottom of the machine where the Bottom Hopper collects the unused powder. Follow the steps below for proper operation of the PTF-100.

- 1)** Fill one of the two Hoppers with your powdered adhesive. Make sure not to overflow the Hopper to prevent spills. The Hopper will hold at least one 2.2lbs(1kg) of powder adhesive.

NOTE: Vastex suggests using fresh powder each day and kneading the bag of powder before opening to break up any clumps. Used/old powder may absorb moisture and cause clumping.

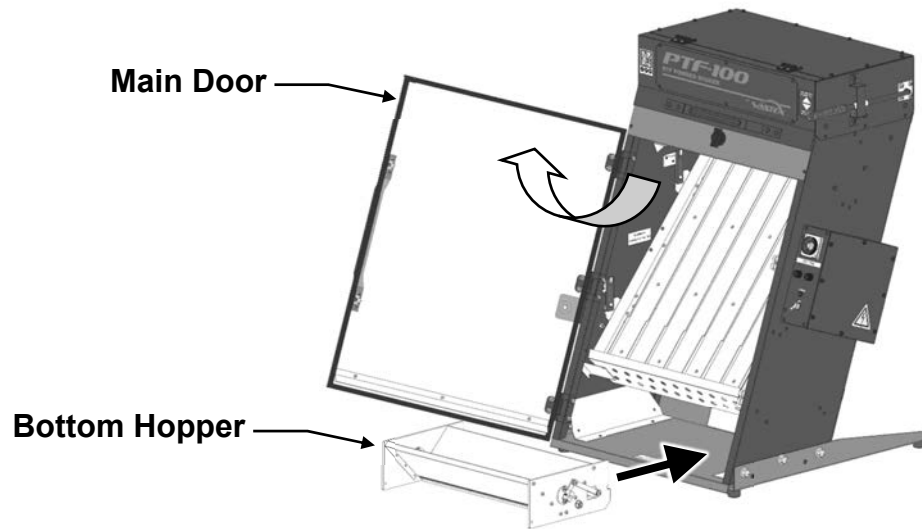


- 2)** Open the Upper Door by turning the Upper Door Latch 90° counter clockwise. Pull up on the black handle to open the door. Slide the Hopper on to the Hopper Supports. Push the Hopper all the way back, you should be able to feel and hear it click into place. Close the door and latch after the hopper is in place.

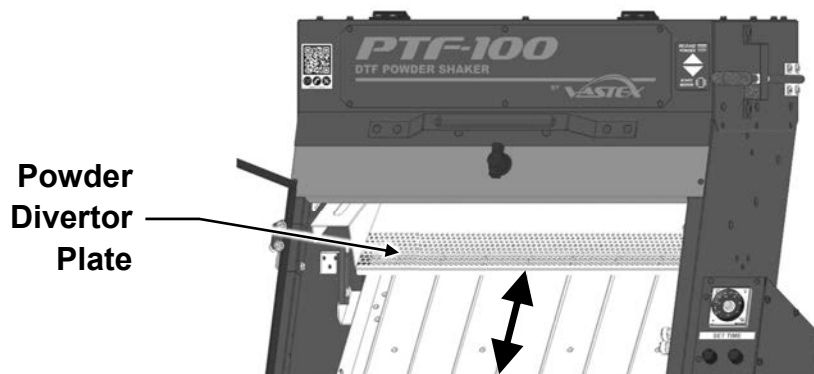
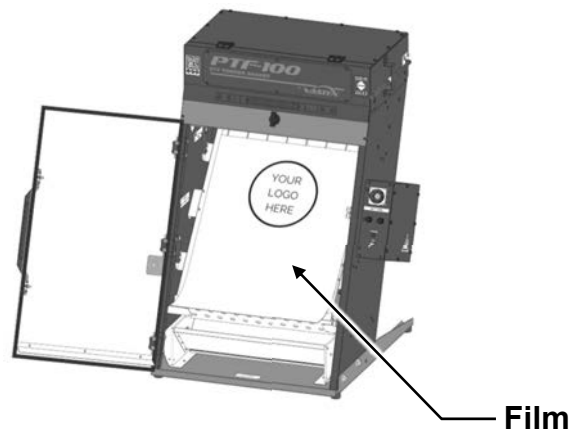


— Operation Cont. —

- 3)** Open the Main Door by pulling on the black handle. Slide the Bottom Hopper in to the bottom of the machine below the Film Tray. Push the Hopper back until it stops.

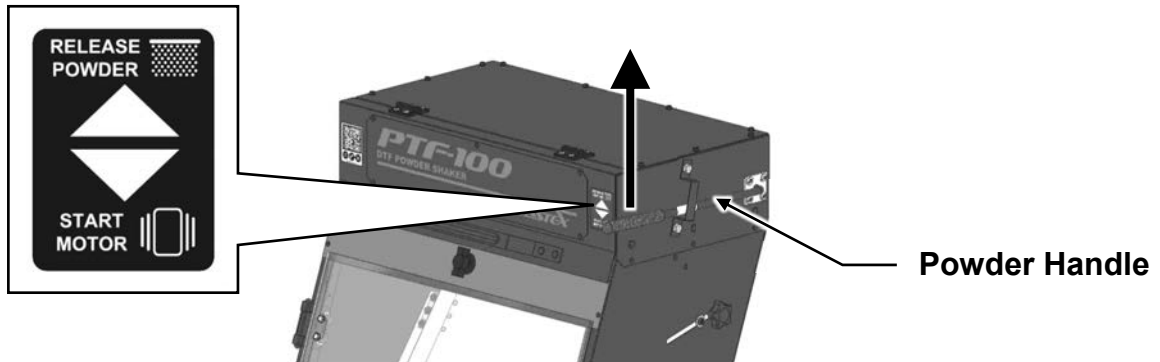


- 4)** With the Main Door still open, set your Film on to the Film Tray. For film sizes 19"-20" in length push the Powder Divertor to the rear of the machine. For film sizes 16"/A3 and smaller pull the Powder divertor to the front of the machine. Close the door afterwards.

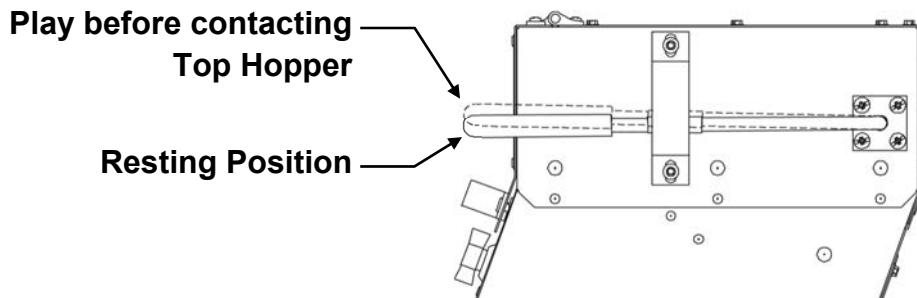


— Operation Cont. —

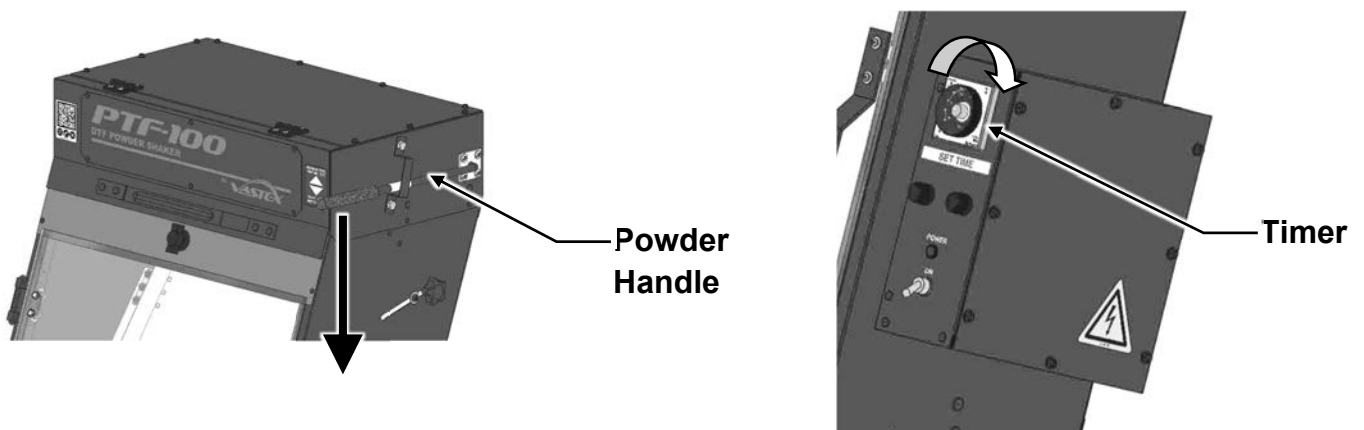
- 5a)** Push UP on the Powder Handle a few strokes to have the powder fall from the Hopper on to the film. Repeat as many times as necessary to fully coat the ink on the film.



- 5b)** It is important to note that the Handle will have a little bit of play when you push up on it between its resting position and when it first makes contact with the Top Hopper.



- 6)** After the ink on the film is sufficiently coated, push DOWN once on the Powder Handle to begin the vibration. You will hear a “clicking” sound from the limit switch. Make sure the Timer is set to an appropriate time.



- 7)** After the motor times out, open the Main Door to remove the freshly coated film. Insert a new film and repeat the process.

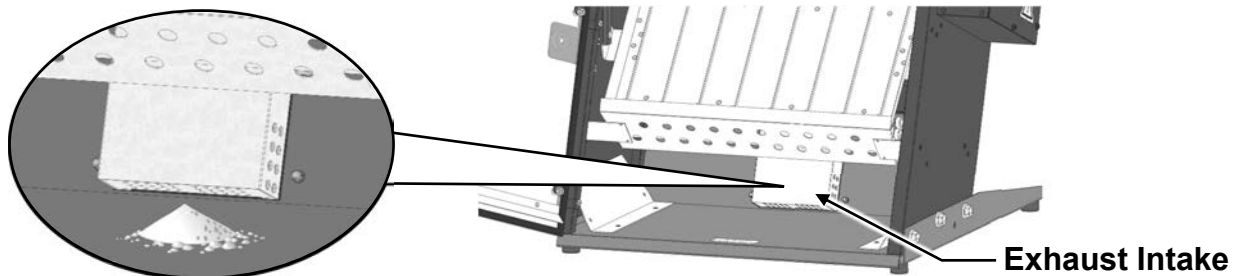
Maintenance

Caution! Power must be turned off by making sure the machine is unplugged before entering any part of the control box.

Frequency	Component	Maintenance Description
Every 3 Months	Electrical Connections	Electrical connections will loosen over time from heating and cooling. Tighten and inspect all points of connection.
Every Month	Exhaust Intake	Powder adhesive may build up inside the Exhaust Intake. Tap on the outside of the Intake and vacuum up excess adhesive. See below for instructions.
Weekly	Exhaust Filter	Powder adhesive may build up on the Filter. Remove the Filter and either vacuum off excess adhesive or replace the Filter. See below for instructions.

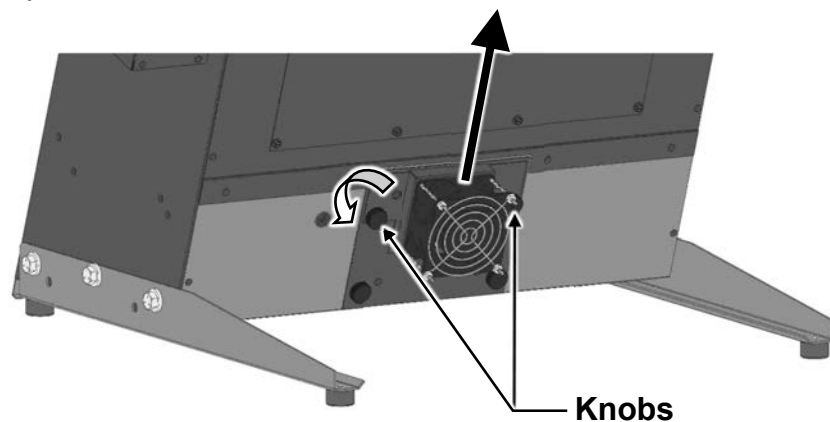
Exhaust Intake

- 1) Remove the Bottom Hopper from inside the machine.
- 2) Look to the rear of the machine and you will see the grey Exhaust Intake. Gently tap on the outside of the Intake to loosen the adhesive inside. Vacuum up an excess adhesive that falls onto the bottom of the machine.



Exhaust Filter

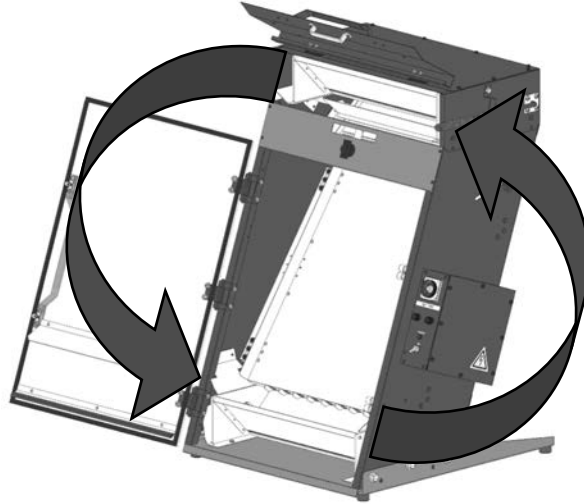
- 1) Locate the Exhaust Fan on the back of the machine.
- 2) Loosen the (2) upper Knobs on the Exhaust. Lift the Exhaust Fan up to reveal the Blue Exhaust Filter. Clean or replace the Exhaust Filter.



— Troubleshooting

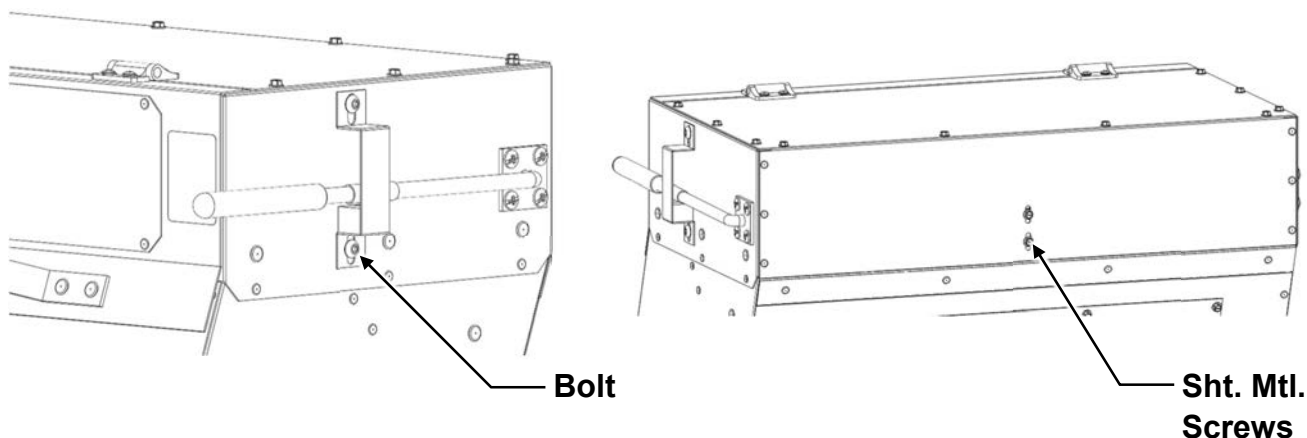
Issue) Powder is no longer falling from the Top Hopper after pushing the Powder Handle up.

Solution) Open the Upper Door to check and see if there is any powder remaining in the Hopper. If there is still powder in the hopper, the powder may be bridging. Gently shake or tap on the hopper to assist the flow. If it is empty simply swap the Bottom Hopper, which should be full, with the Top Hopper. Add more powder if necessary.

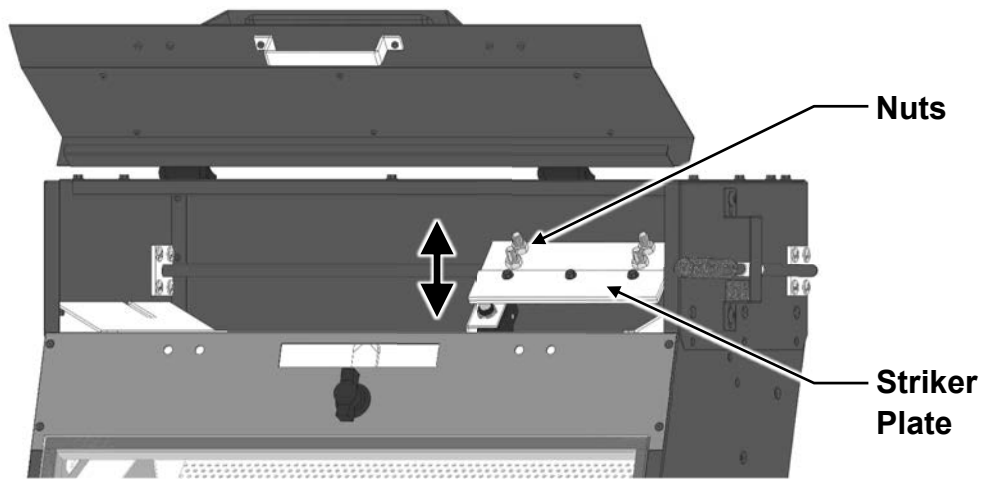


Issue) The Motor is turning on without needing to push the handle down. Or the Motor is not turning on when you press the handle down.

Solution #1) If the Motor is turning on without you needing to push on the handle, the Striker Plate is making contact with the limit switch while in its home position. If the Motor dose not turn on when you push down on the handle, the Striker Plate is too far away from the limit switch and not making contact. You can adjust the position of the Handle Retainer on the right side of the machine as well as the Limit Switch Bracket from the rear of the machine. Loosen the Retainer Bolts with a 5/32" Allen wrench to raise or lower the Retainer. Loosen the Sheet Metal Screws with a 1/4" nut driver to raise or lower the Limit Switch Bracket.



Solution #2) If the Motor is turning on without you needing to push on the handle, the Striker Plate is making contact with the limit switch while in its home position. If the Motor does not turn on when you push down on the handle, the Striker Plate is too far away from the limit switch and not making contact. Open the Upper Door to remove the Top Hopper. Look inside your machine and locate the Striker Plate. The Striker Plate has 4 nuts clamping it to the Handle. Loosen the nuts, by only 1/4 to 1/2 turn, using a 3/8" wrench. While holding the Handle in the down position adjust the angle of the Striker Plate up or down. Re-tighten the bolts on the Striker Plate and re-insert the Top Hopper. Test to see if the motor is functioning properly now, re-adjust if necessary.



NOTE: The Striker Plate must be located as shown in the above image.

