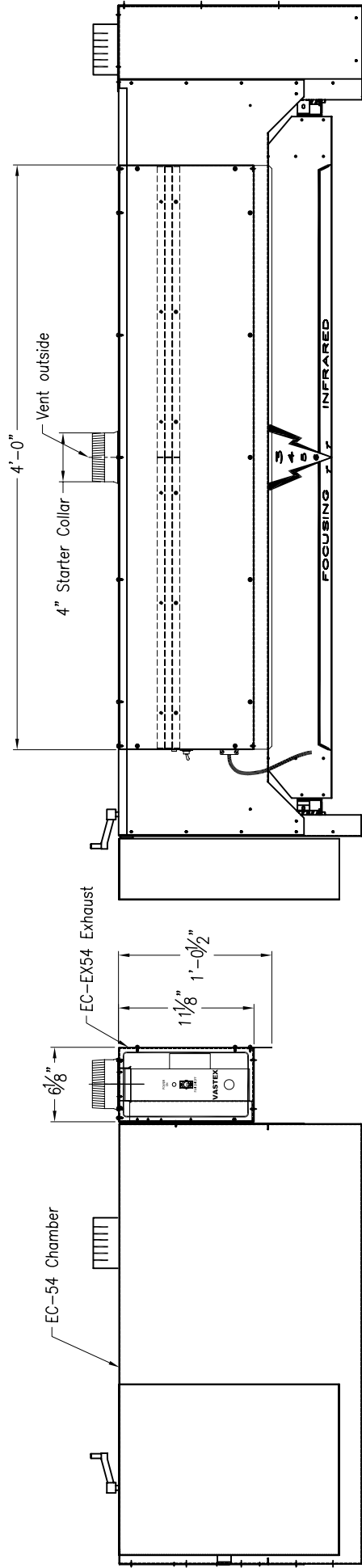


PARTIAL SIDE VIEW OF CHAMBER

BACK VIEW OF CHAMBER

Installation EC-EX54

- 1.) Locate and drill the left hanger bracket mounting hole. Use the dimensions shown and a 1/8" drill for all holes.
- 2.) Attach hanger bracket to this hole using sheet metal screw provided. Check enlarged view for proper orientation of hanger. Do not fully tighten screw.
- 3.) Using a level to position hanger transfer and drill remaining hole to chamber wall.
- 4.) Install remaining 2 screws for left side hanger bracket to chamber.
- 5.) Position and level right side hanger bracket against left side bracket, transfer and drill 3 remaining holes.
- 6.) Attach right side hanger, recheck tightness of all screws.
- 7.) Slide exhaust assembly over hangers.



BACK VIEW OF CHAMBER

SIDE VIEW OF CHAMBER